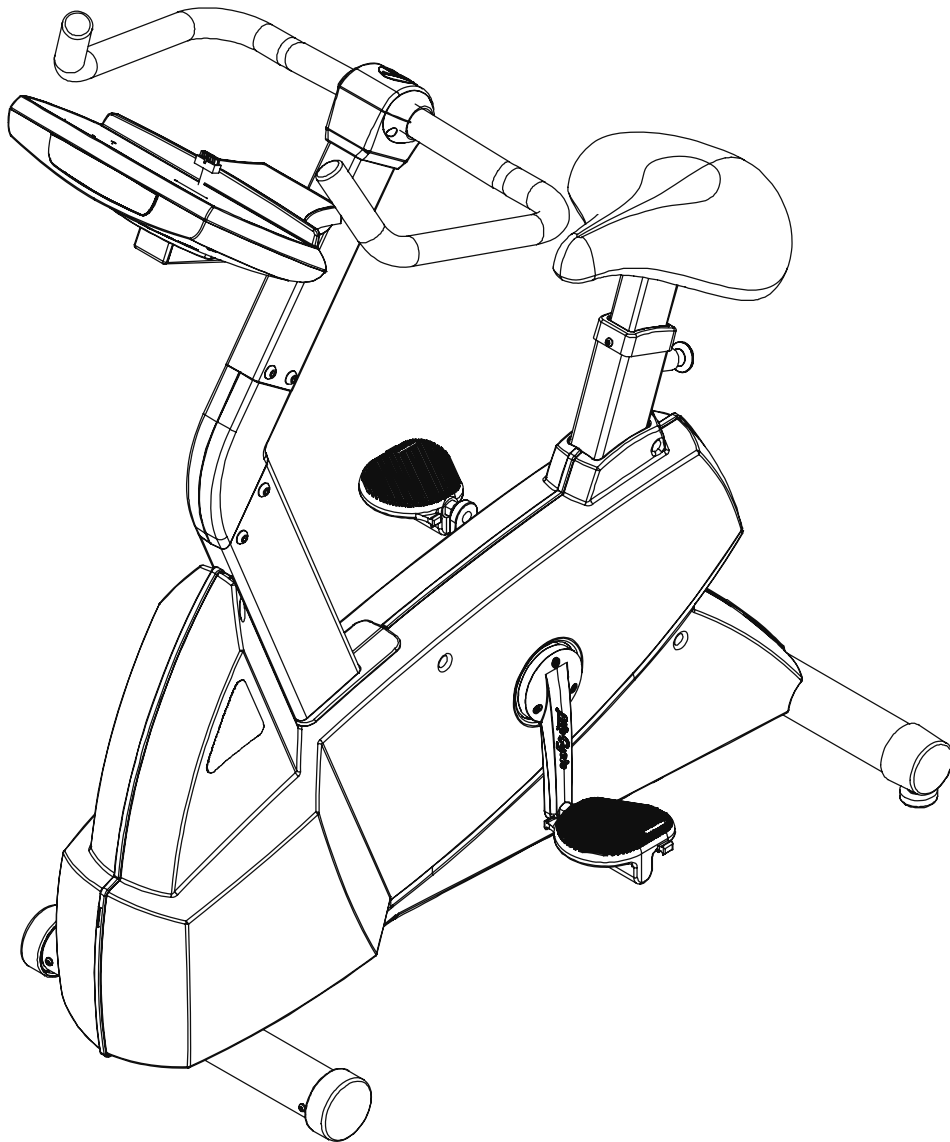


LifeFitness

ARCTIC SILVER 93C Upright Bike



Customer Support Services
PARTS MANUAL rev 29 Apr 2008

ARCTIC SILVER 93C
REFERENCES

93C-0XXX-02
S/N CCL100000 and up

OPERATION MANUAL	M051-00K63-A068
HARDWARE BAG	GK63-00002-0044
NETWORK C-SAFE KIT	GK63-00002-0003
TOUCH UP PAINT: SPRAY CAN .5 OZ BOTTLE W/APPLICATOR .33 OZ PEN	0017-00008-0204 0017-00008-0205 0017-00008-0206
SERVICE MANUAL	M051-00K63-A009

CONSOLE AND RELATED COMPONENTS.....4

CONSOLE MOUNTING SCREWS AND POLAR COVERS5

ALTERNATOR W/PULLEY6

CRANKSHAFT AND BEARING ASSEMBLY.....7

INTERMEDIATE SHAFT AND BEARING ASSEMBLY.....8

SEAT LATCH ASSEMBLY9

SEAT POST ASSEMBLY10

SEAT POST SHROUDS11

IDLER BRACKET ASSEMBLY.....12

CONSOLE SUPPORT ASSEMBLY.....13

LEFT SIDE SHROUD AND CRANKARM14

RIGHT SIDE SHROUD AND CRANKARM15

PCB MOUNTING BRACKET ASSEMBLY16

FRONT WHEELS17

RESISTOR ASSEMBLY18

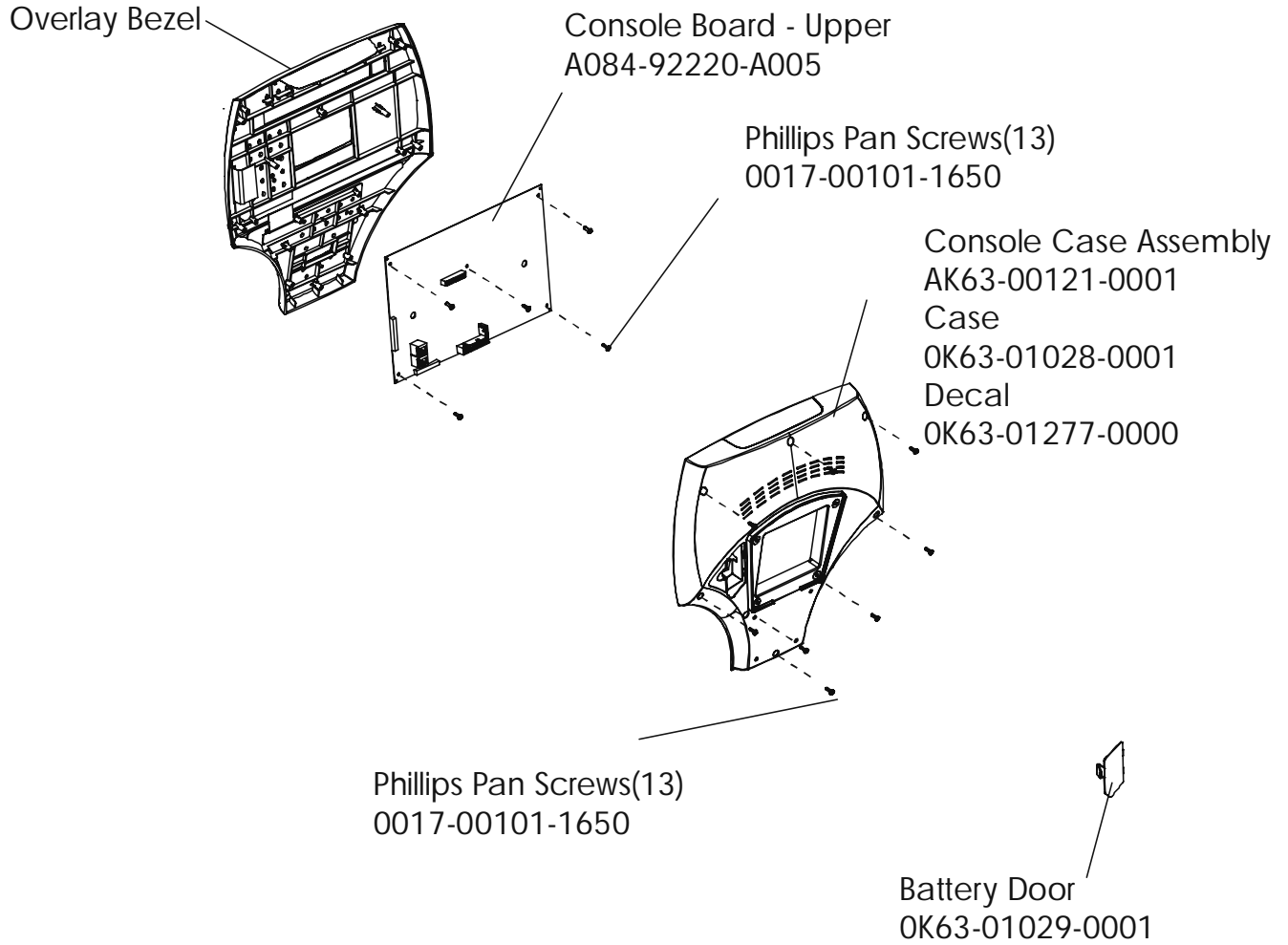
HANDLEBAR ASSEMBLY19

BELTS.....20

CABLES.....21

ARCTIC SILVER 93C
Console and Related Components

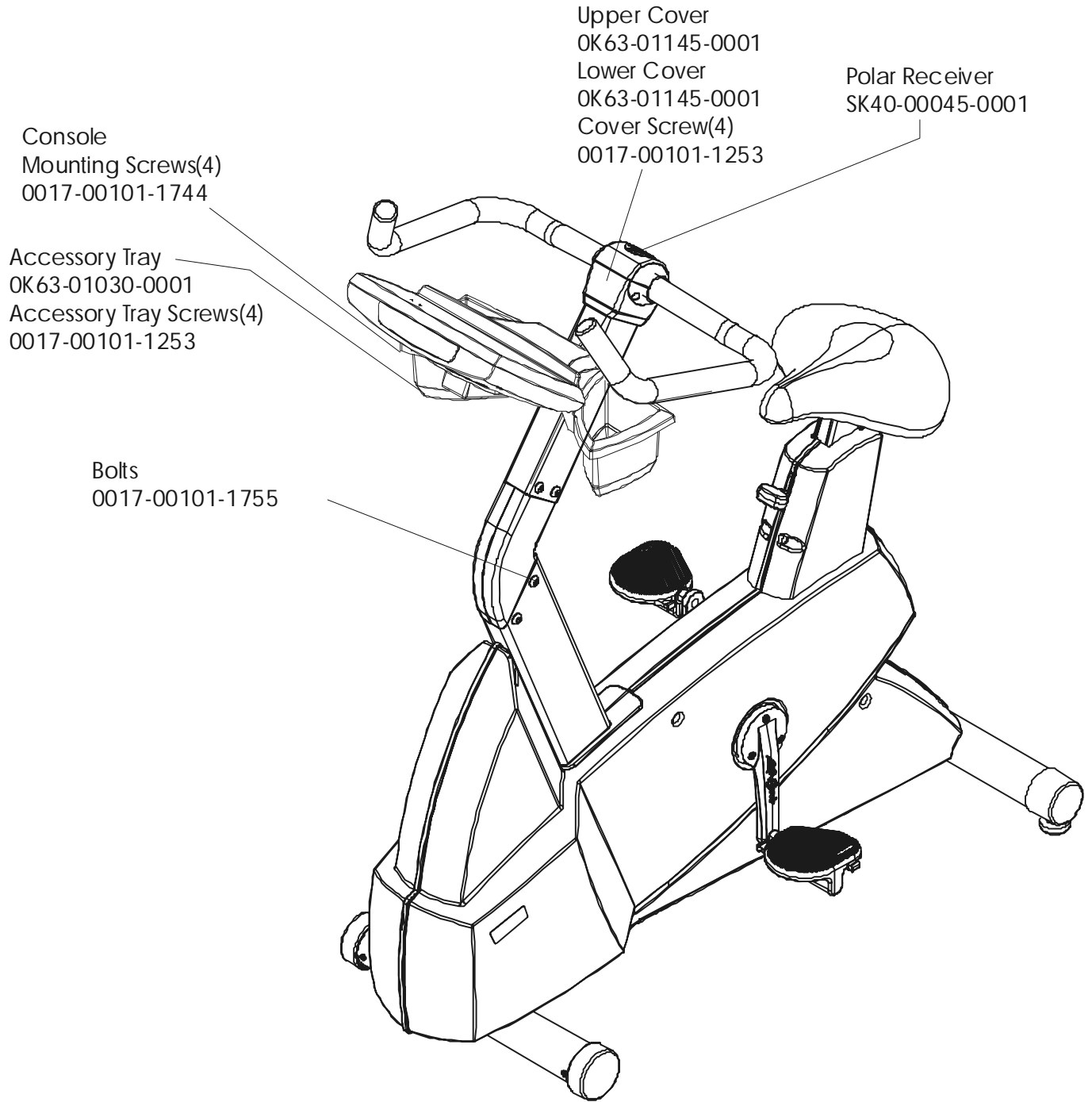
93C-0XXX-02
S/N CCL100000 and up



Console Assembly	Bezel W/Overlay Assy.
AK63-00161-0001 Eng Met	AK63-00166-0001 Eng Met
AK63-00161-0003 Ger Met	AK63-00166-0003 Ger Met
AK63-00161-0004 Spn Met	AK63-00166-0004 Spn Met
AK63-00161-0006 Jap Met	AK63-00166-0006 Jap Met
AK63-00161-0007 Frn Met	AK63-00166-0007 Frn Met
AK63-00161-0008 ItI Met	AK63-00166-0008 ItI Met
AK63-00161-0009 Dut Met	AK63-00166-0009 Dut Met
AK63-00161-0010 Por Met	AK63-00166-0010 Por Met

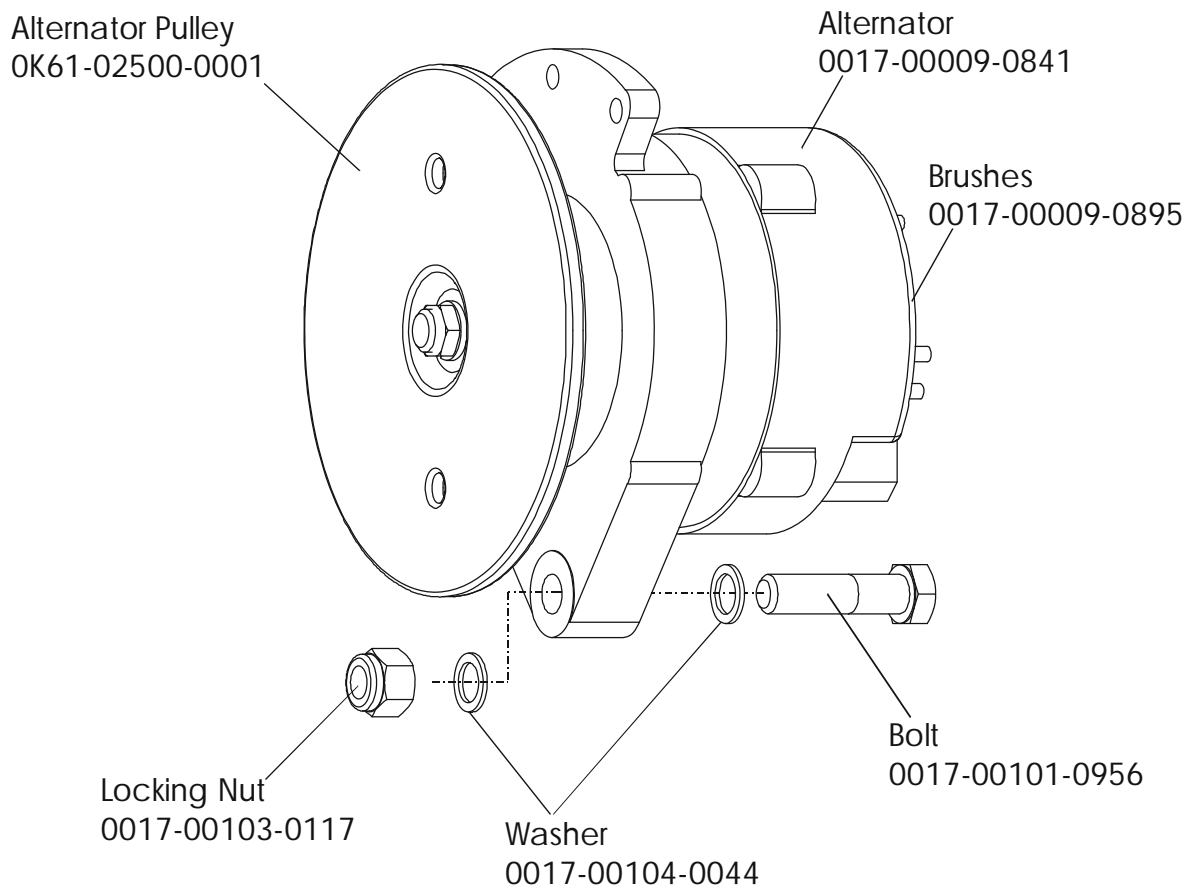
ARCTIC SILVER 93C
Console Mtg. Screws & Polar Covers

93C-0XXX-02
S/N CCL100000 and up



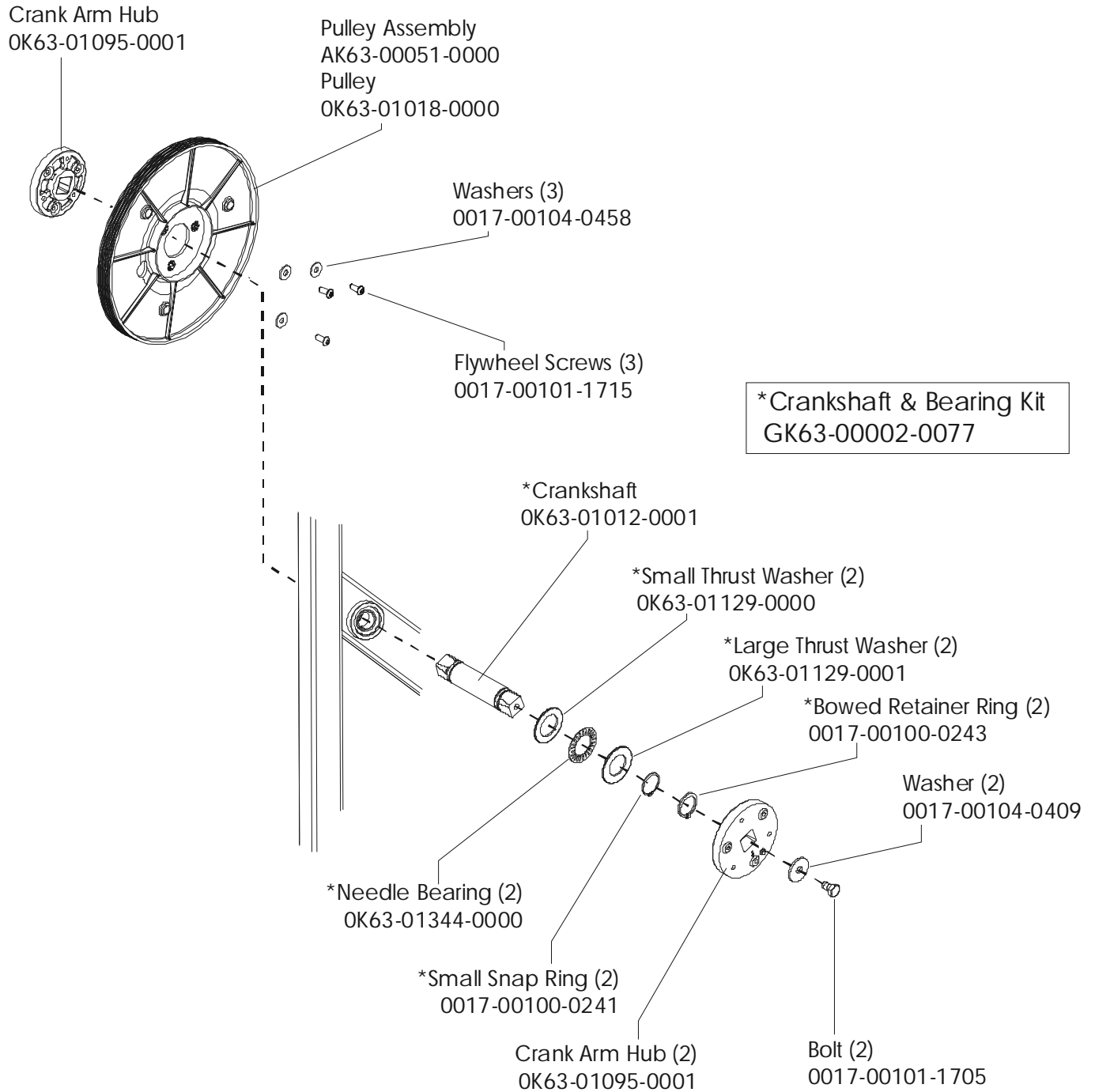
ARCTIC SILVER 93C
Alternator w/Pulley-AK63-00093-0000

93C-0XXX-02
S/N CCL100000 and up



ARCTIC SILVER 93C
Crankshaft and Bearing Assembly

93C-0XXX-02
S/N CCL100000 and up



ARCTIC SILVER 93C

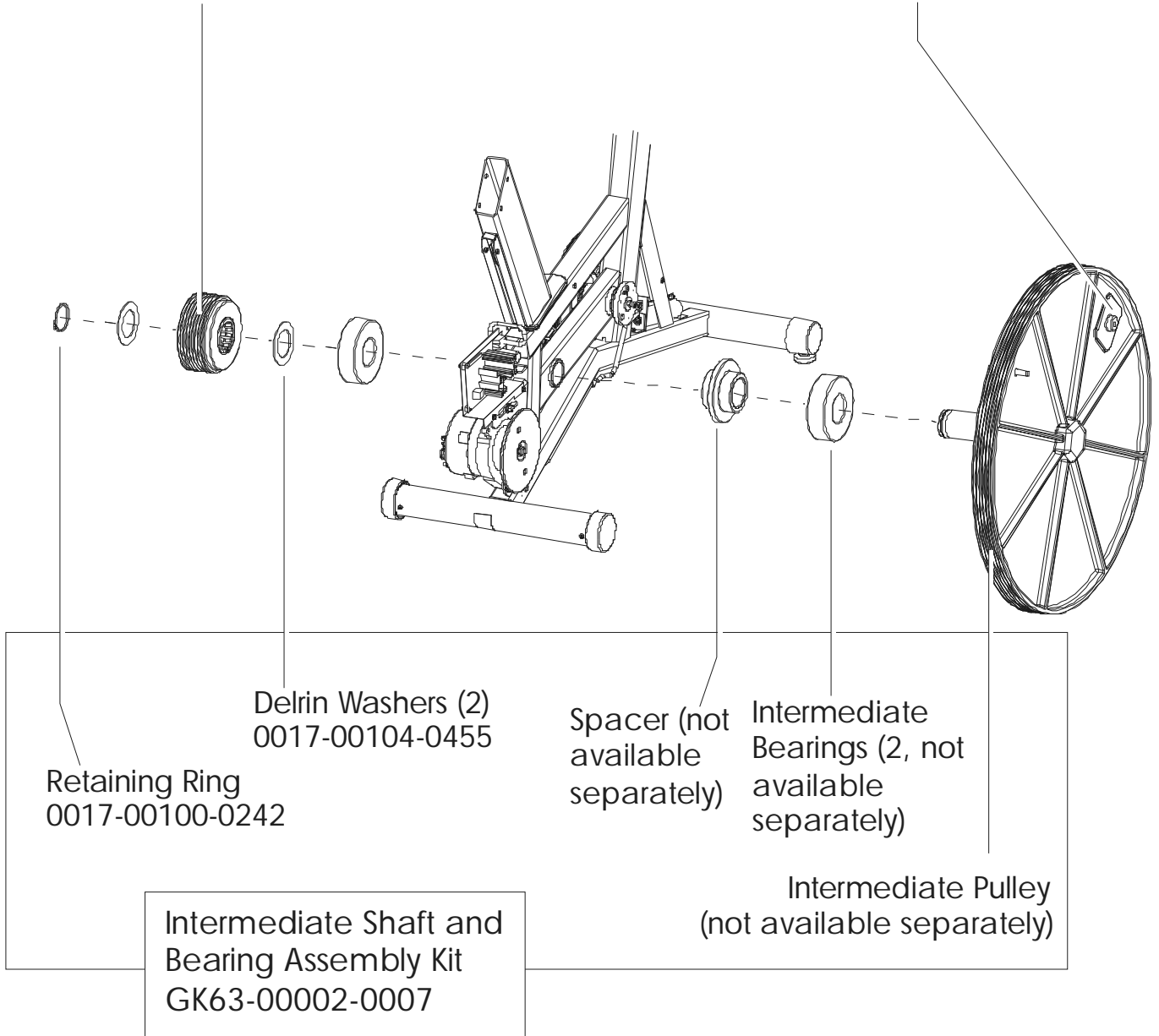
93C-0XXX-02

Intermediate Shaft and Bearing Assembly

S/N CCL100000 and up

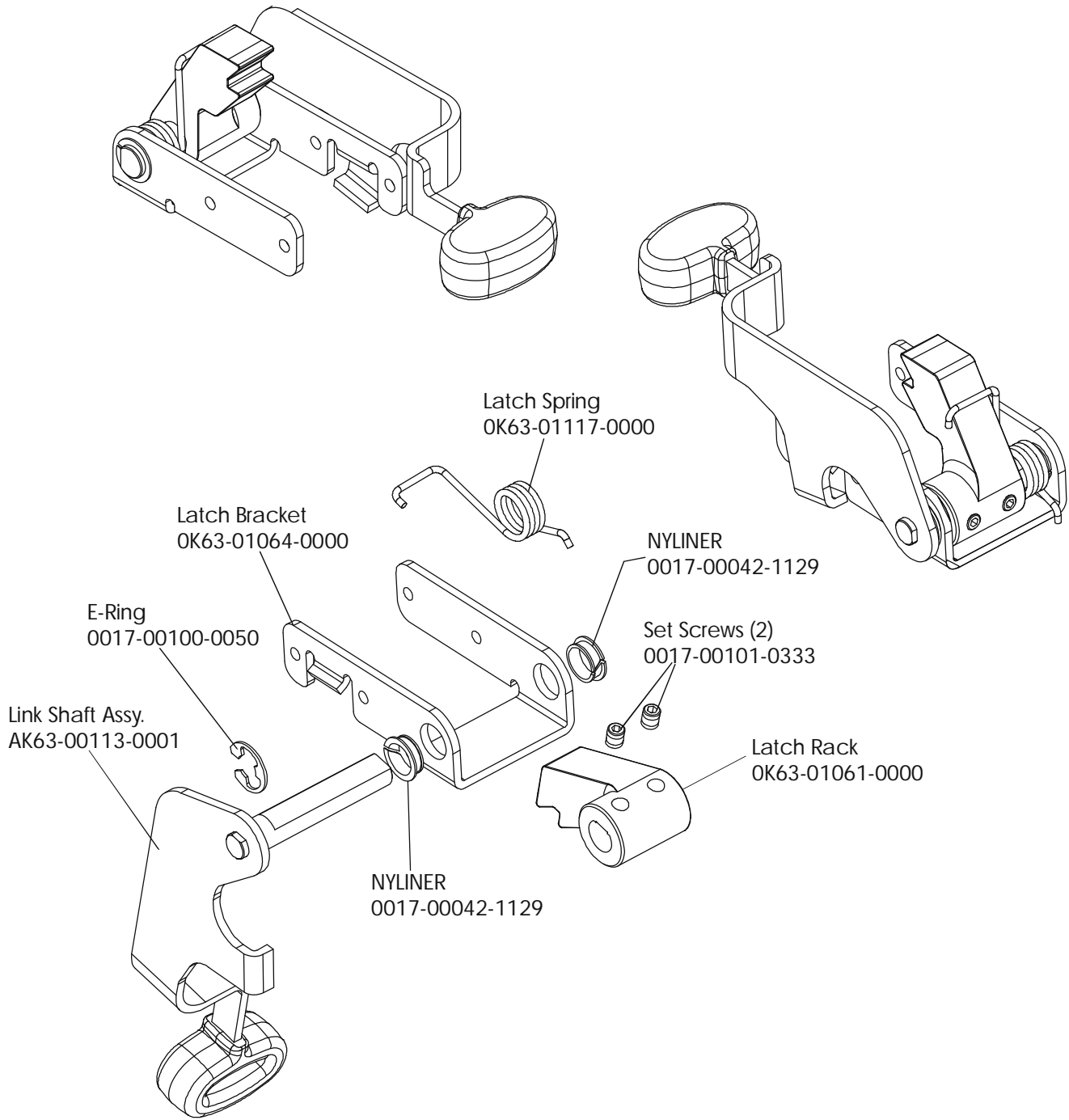
Clutch Assembly
AK63-00026-0000
(not included in kit)

Magnet
118E-00001-0124
(not included in kit)



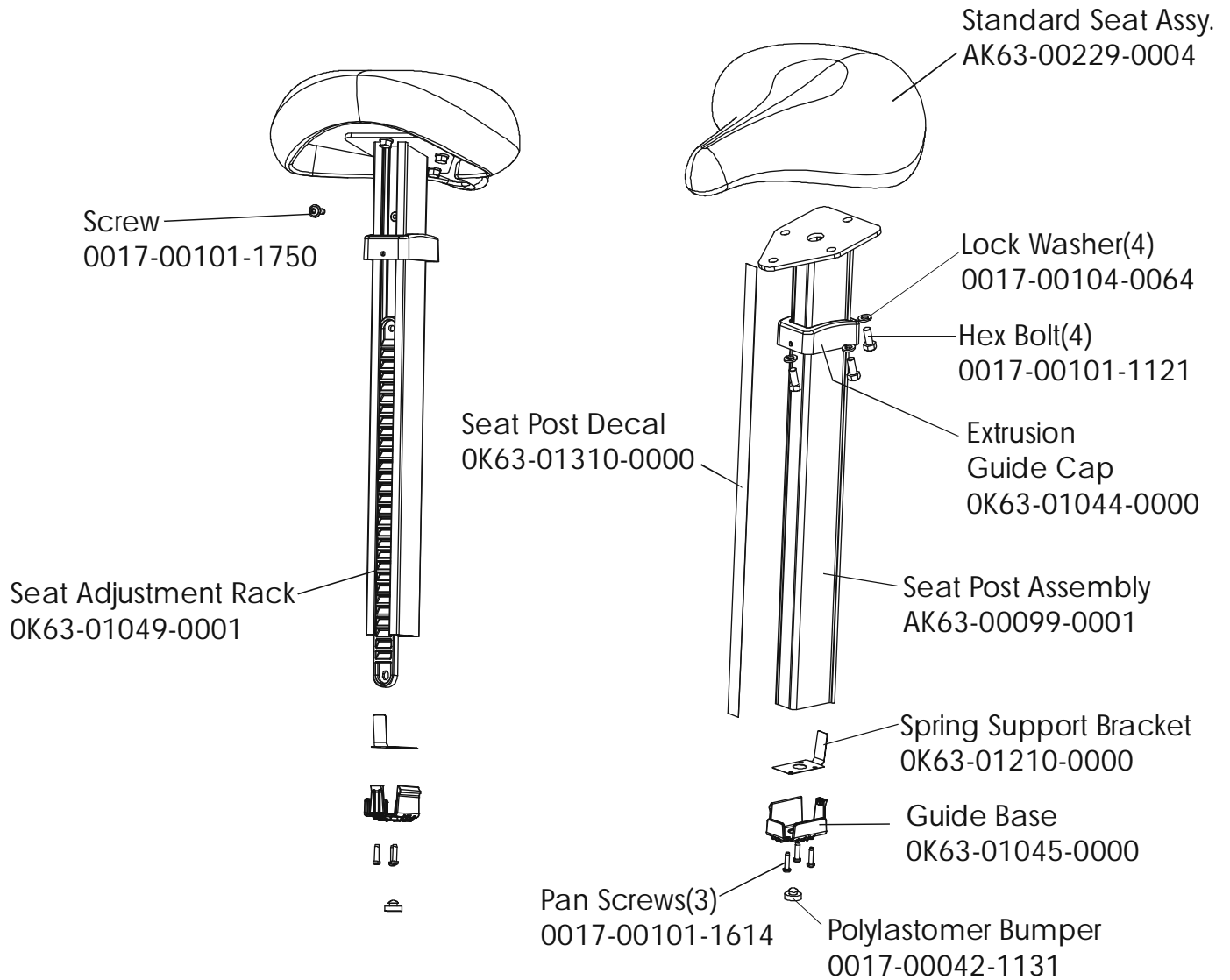
ARCTIC SILVER 93C
Seat Latch Assy. -AK63-00043-0001

93C-0XXX-02
S/N CCL100000 and up



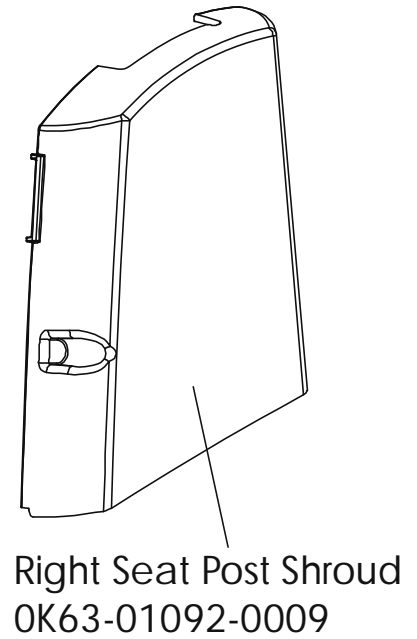
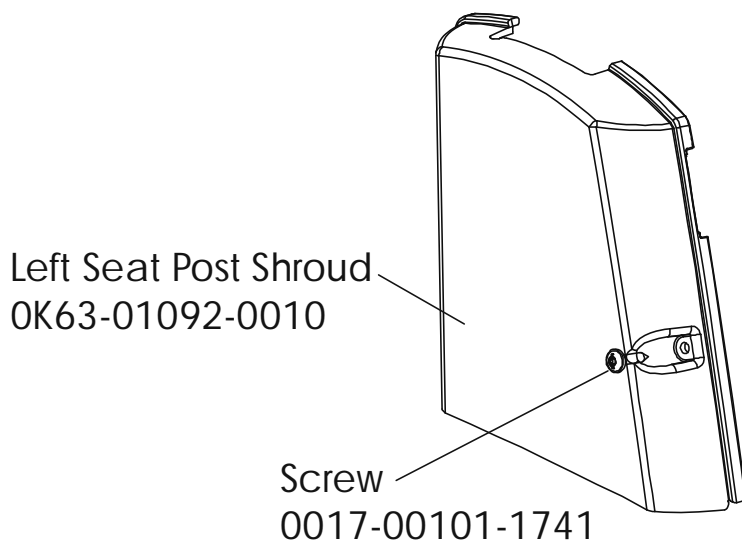
ARCTIC SILVER 93C
Seat Post Assy. – AK63-00232-0003

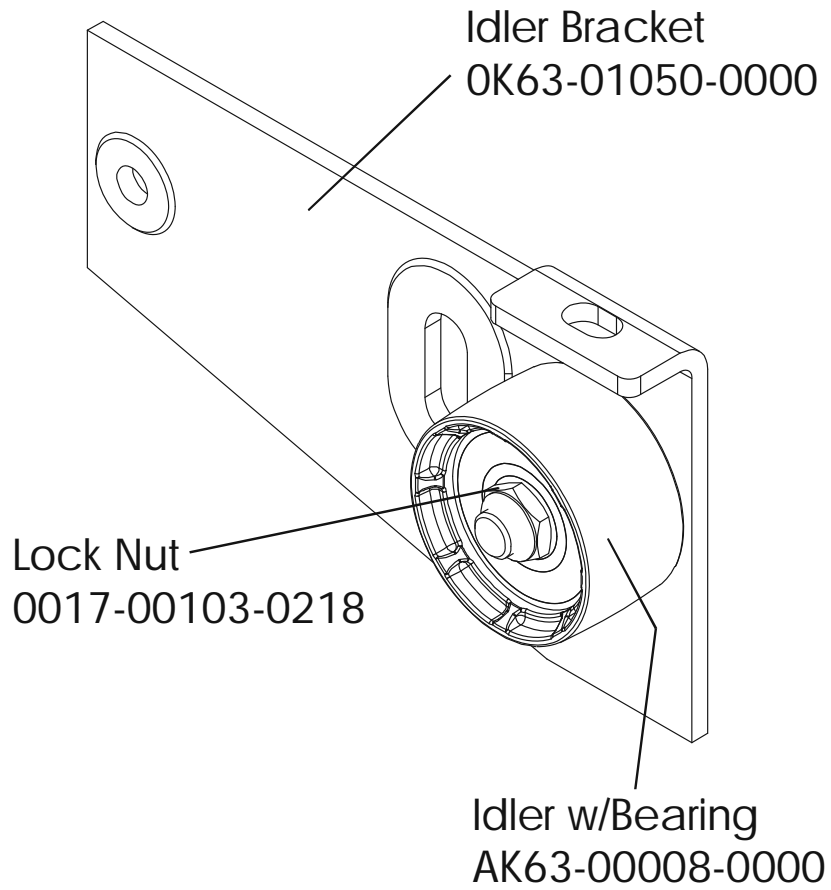
93C-0XXX-02
S/N CCL100000 and up



ARCTIC SILVER 93C
Seat Post Shrouds

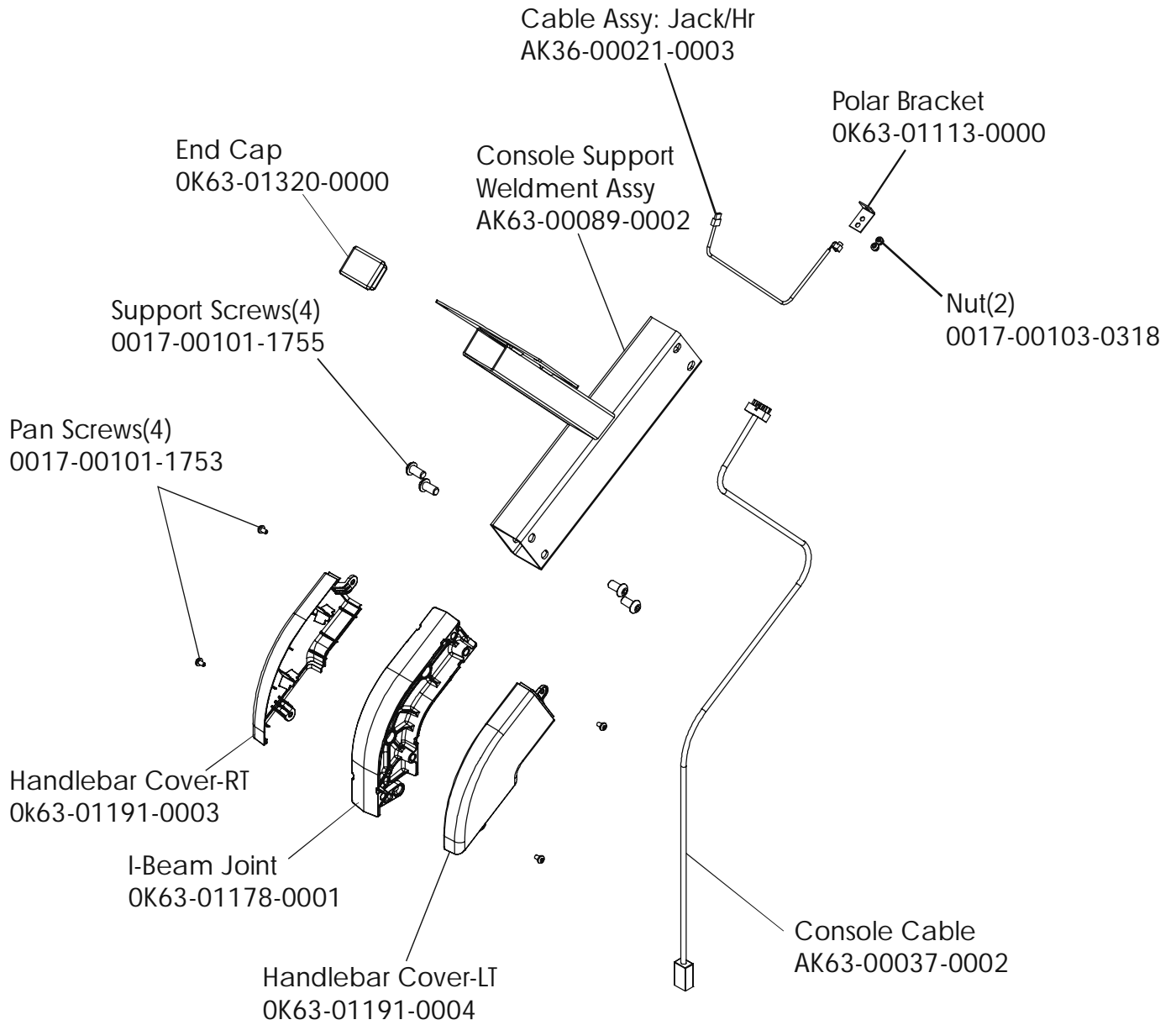
93C-0XXX-02
S/N CCL10000 and up





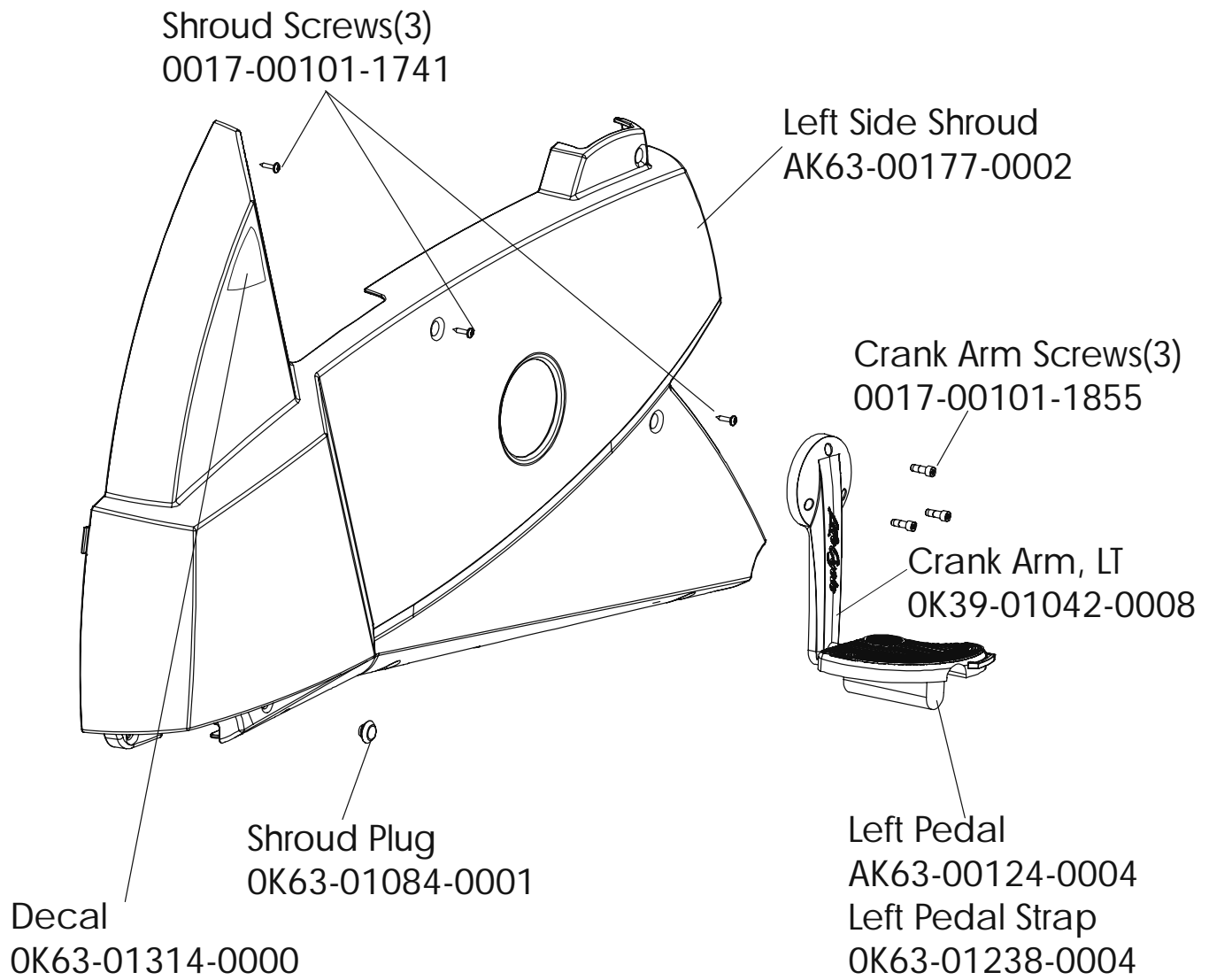
ARCTIC SILVER 93C
Console Support Assembly

93C-0XXX-02
S/N CCL10000 and up



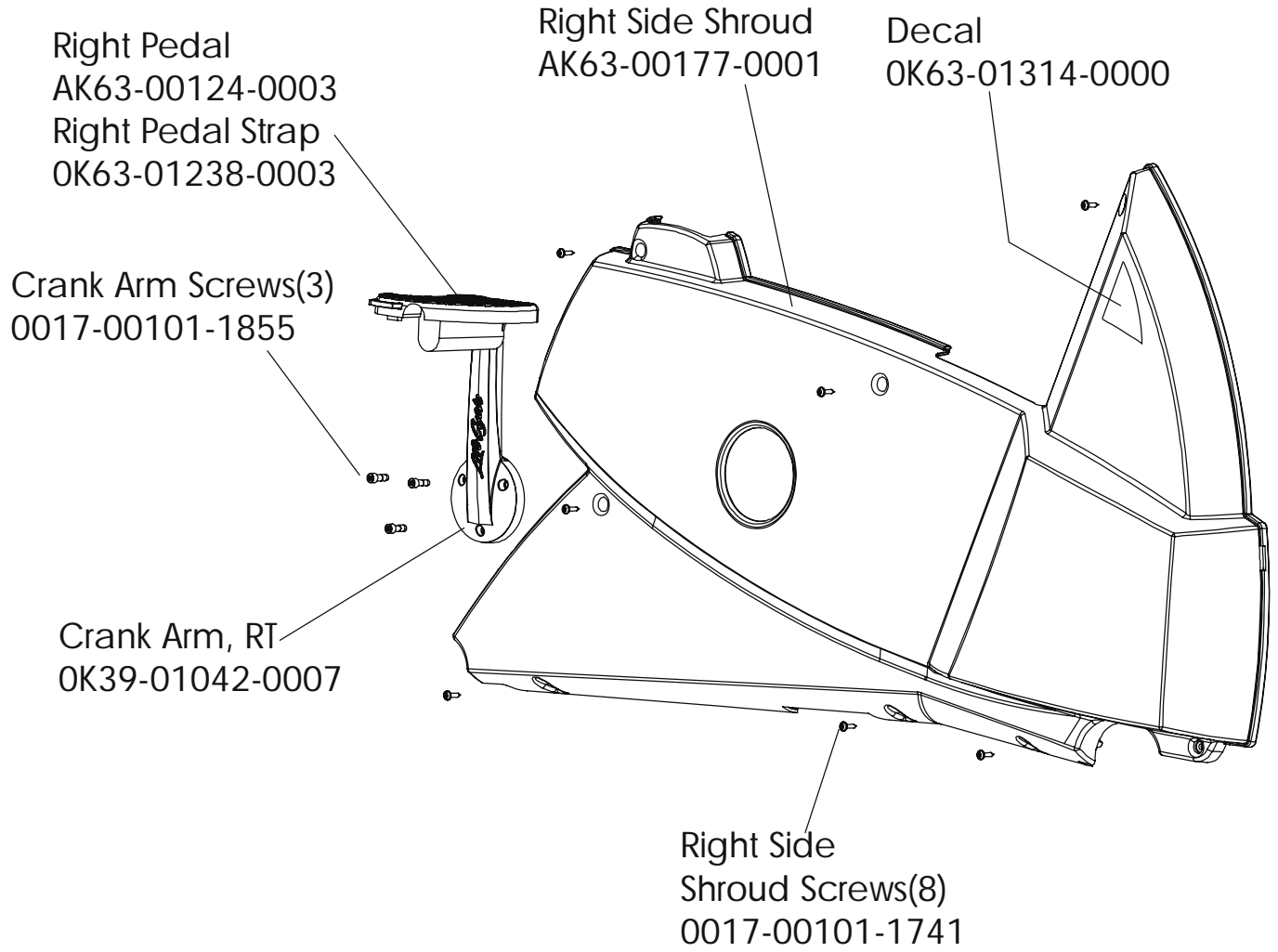
ARCTIC SILVER 93C
Left Side Shroud and Crankarm

93C-0XXX-02
S/N CCL100000 and up



ARCTIC SILVER 93C
Right Side Shroud and Crankarm

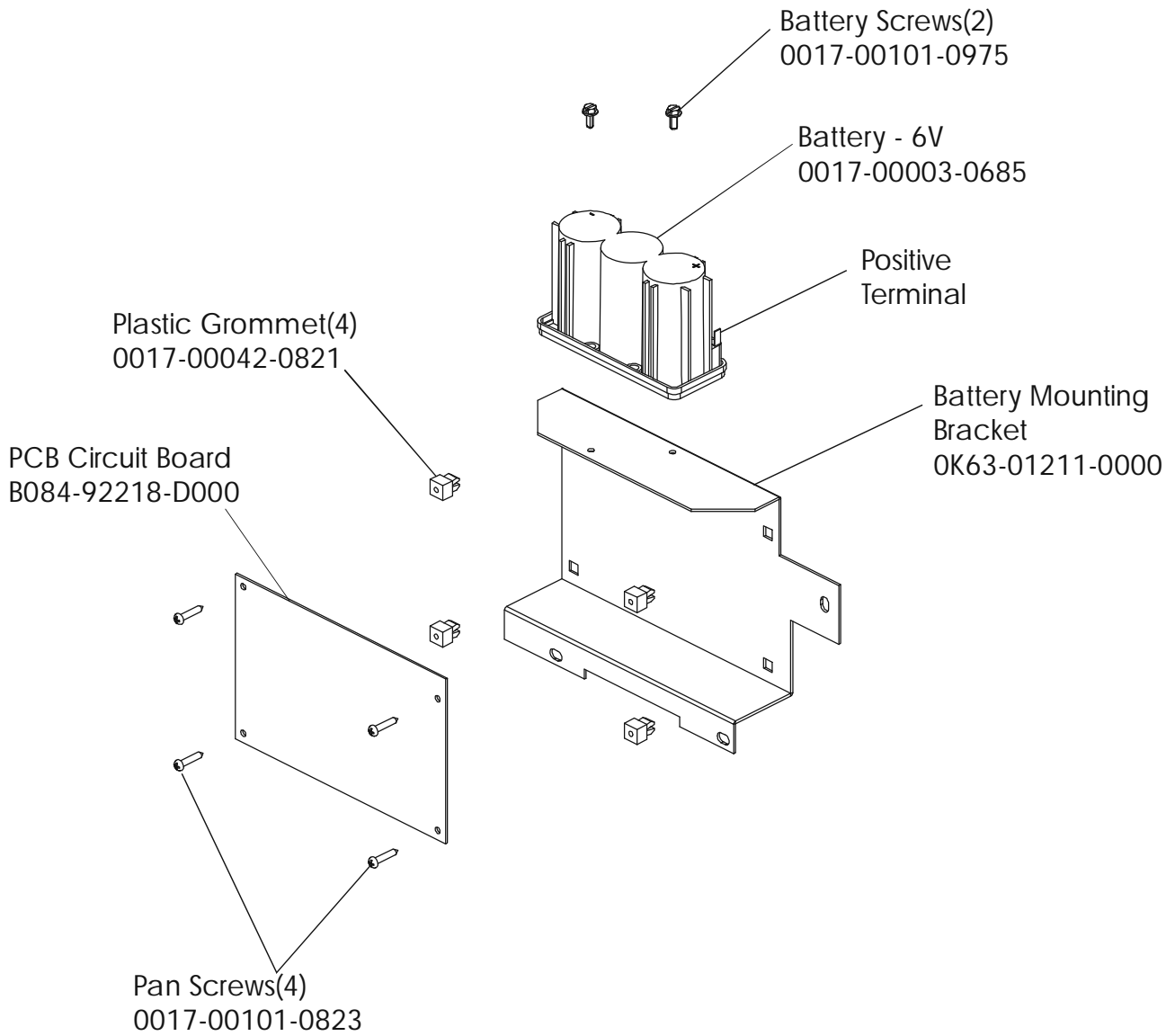
93C-0XXX-02
S/N CCL100000 and up



ARCTIC SILVER 93C
PCB Mounting Bracket Assembly

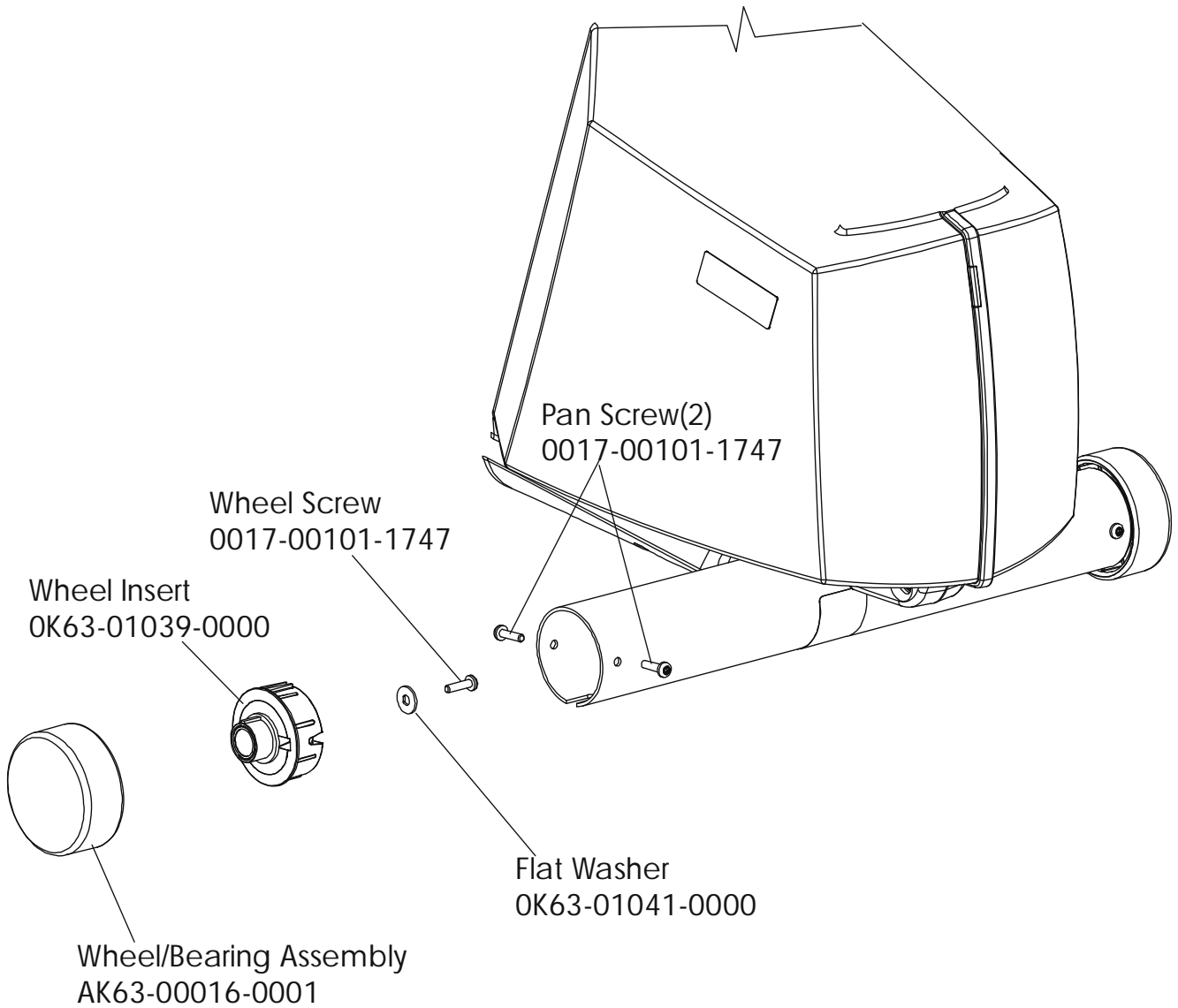
93C-0XXX-02
S/N CCL10000 and up

Assembly Number – AK63-00049-0000



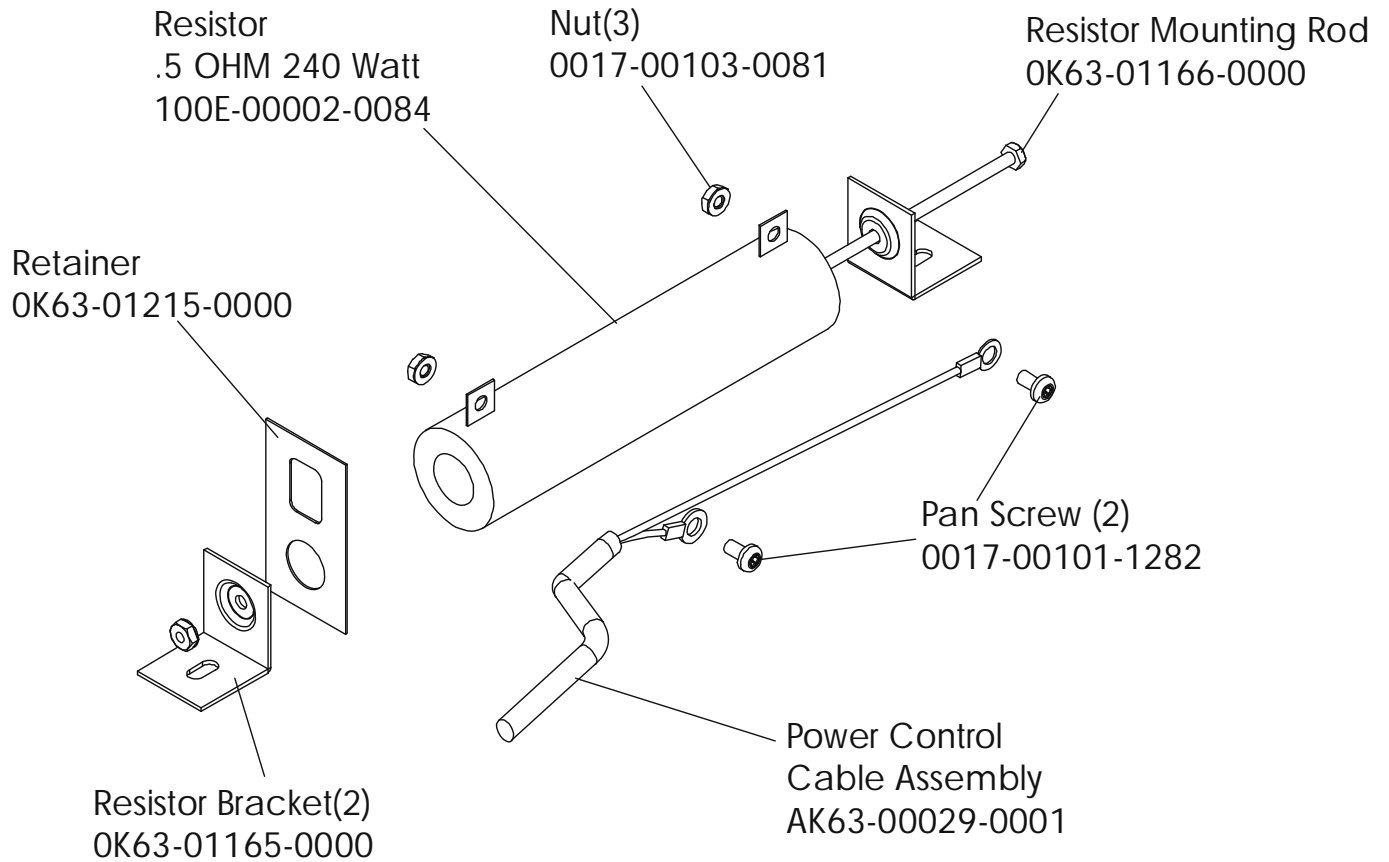
ARCTIC SILVER 93C
Front Wheels – AK63-00017-0001

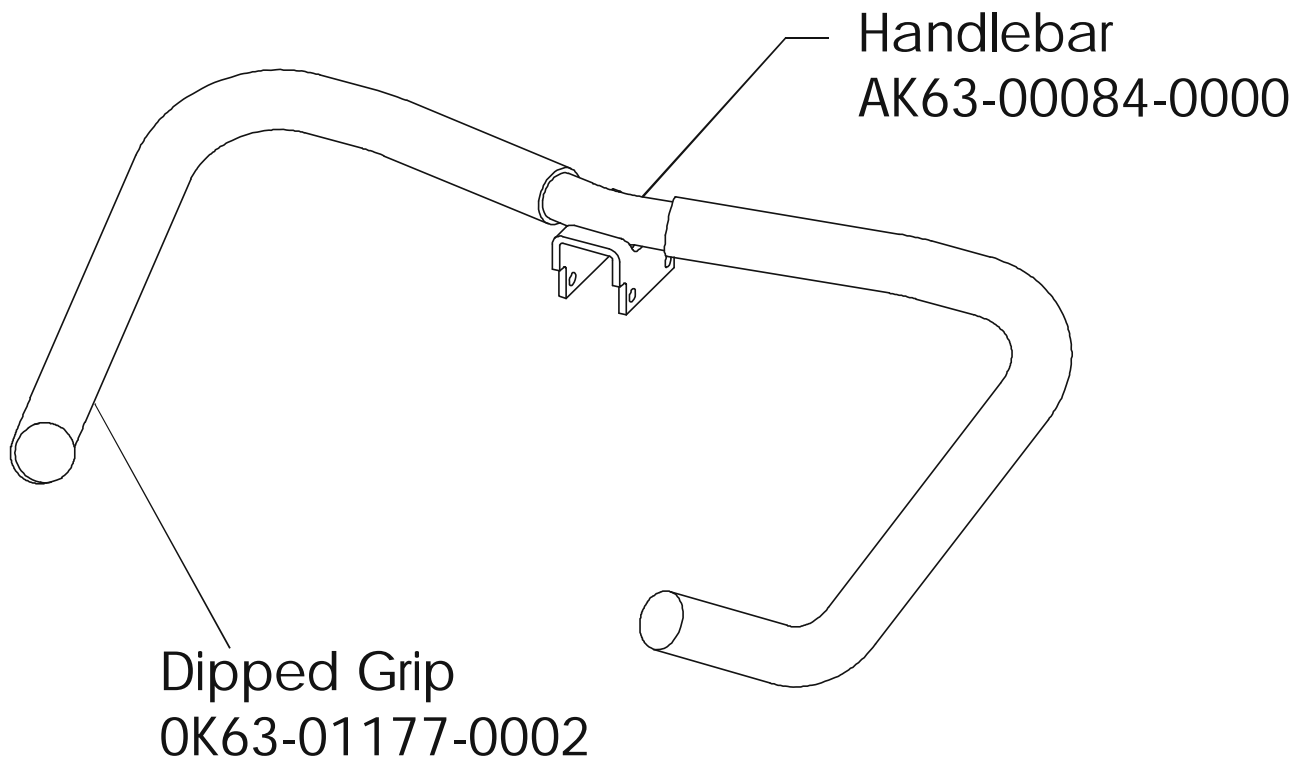
93C-0XXX-02
S/N CCL100000 and up



ARCTIC SILVER 93C
Resistor Assembly- AK63-00047-0000

93C-0XXX-02
S/N CCL100000 and up



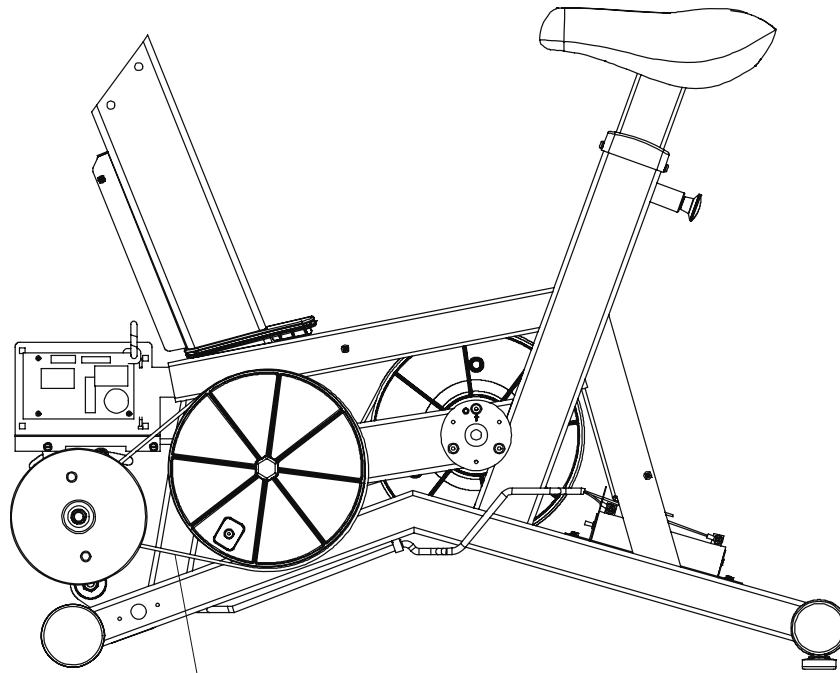


ARCTIC SILVER 93C

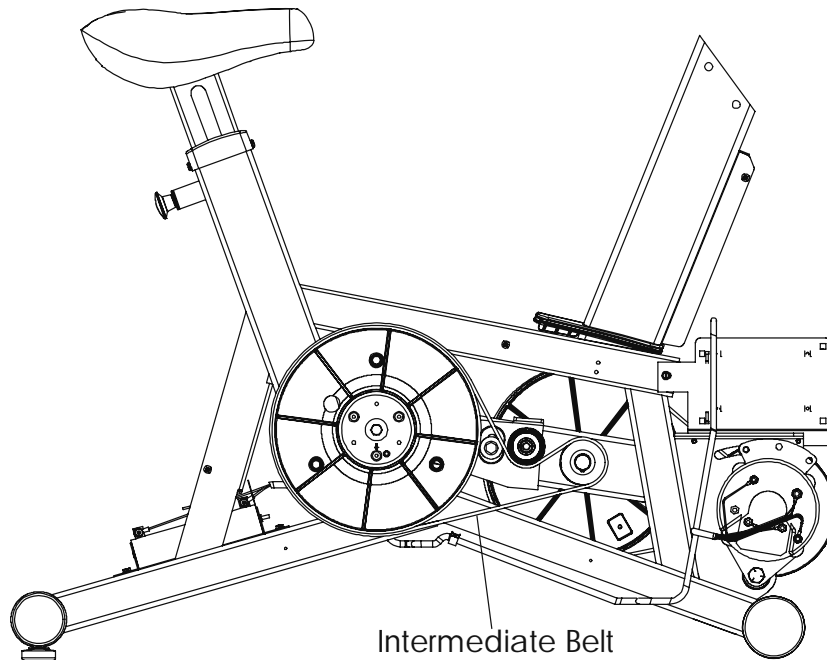
Belts

93C-0XXX-02

S/N CCL10000 and up



Alternator Belt
OK63-01065-0000



Intermediate Belt
OK63-01066-0001

ARCTIC SILVER 93C

Cables

93C-0XXX-02
S/N CCL10000 and up

